

# Stepping Motors

## M42SP-4, -4NK

### OUTLINE

A high-resolution model "M42SP-4" "M42SP-4NK" which is the only motor that has 3.75° step angle among the stepping motor series. Despite the modest body size (o.d. : 42mm, thickness : 15.7/17.9mm) this motor has high output characteristic, excellent running quietness and stability.



### FEATURES

1. High output torque, and high resolution.
2. Superior running quietness and stability.
3. Step angle : 3.75°.
4. Excellent responsiveness acquired.

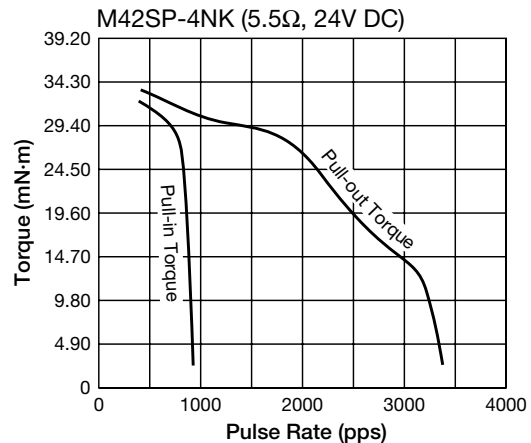
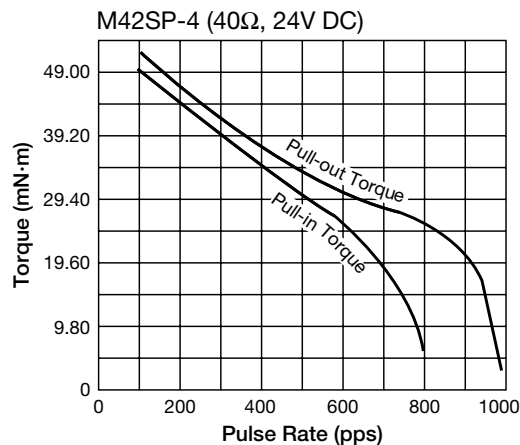
### USES

Printers, word processors, facsimiles, and such.

## SPECIFICATIONS

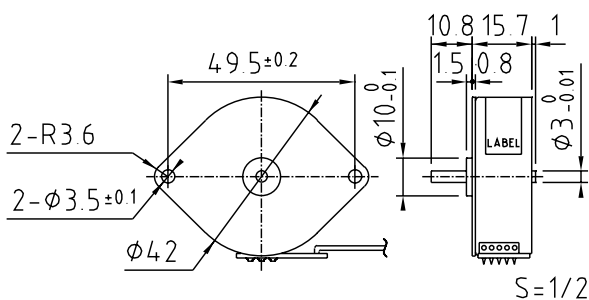
Items	M42SP-4	M42SP-4NK
Rated Voltage	DC 24V	
Working Voltage	DC 21.6~26.4V	
Rated Current/Phase	646mA	400mA (PEAK)
No. of Phase	4 Phase	2 Phase
Coil DC Resistance	40Ω	5.5Ω/phase±10%
Step Angle	3.75°/step	
Excitation Method	2-2 Phase excitation (Unipolar driving)	2-2 Phase excitation (Bipolar chopping driving)
Insulation Class	Class E insulation	
Holding Torque	70.6mN·m	44.1mN·m
Pull-out Torque	45.1mN·m/200pps	26.0mN·m/200pps
Pull-in Torque	41.7mN·m/200pps	31.4mN·m/400pps
Max. Pull-out Pulse Rate	1,050pps	3,450pps
Max. Pull-in Pulse Rate	800pps	940pps

## CHARACTERISTICS



## DIMENSIONS

M42SP-4



M42SP-4NK

